

# Steps to define a damper action

## Step #1

Determine if you want WNG to drill and assemble the damper action.

## Step #2

If you want WNG to supply damper heads and wires you will need to:  
Establish the number of dampers in the piano.  
Establish the number of bass dampers.

## Step #3

Determine which flange rail to use.

## Step #4

Determine which under lever combination of  
Mounting flange  
    If using the Spring Flange how many notes with assist springs  
Top flange height  
Spoon Length  
Leading pattern

## Step #5

Determine whether or not you wish WNG to supply a sostenuto rod.

# Step 1

Decide who will drill the rails and assemble the damper action.

To assemble a damper action the rails will need to be drilled.

You can do it yourself.

Drilling the rails will save you money. There is a cost for WNG to drill the rails. And, of course, you will have to assemble the damper action yourself.

You will need to extract a scale stick, mark the hole locations, drill the holes and tap the flange rail.

WNG can drill and tap the flange rail.

You will need to extract a scale stick (the note and bracket spacing) and supply this information to WNG.

We will then drill and tap the damper flange rail.

The damper action will need to be assembled to be useful.

You can do it yourself.

You should have no problem assembling a damper action. And you will save the associated cost of WNG performing that service for you.

WNG can assemble the damper action.

WNG will assemble the damper action and will ship you an action ready to install. If you are unsure of your skills or pressed for time this will be your best option.

## Step 2

Decide if WNG will supply the damper heads and wires.

If WNG is supplying damper heads and wires you will need to tell us the following information.

The number of dampers.

The number of bass dampers.

# Step 3

Which damper flange rail do you want to use?

78mm [3.071in] Damper wire center line  
With Spring Flanges

Our Thinnest Rail

72mm [2.835in]  
With Out Spring Flanges

Belly Rail

4mm [0.157in]

Our thinnest rail. For pianos with limited room in the damper cavity.

Requires 5 mounting points equally spaced.

Spring flanges can be used if the piano provides sufficient room in the damper cavity.

Damper wire center line

86mm [3.386in]

Our Strongest Rail

Belly Rail

4mm [0.157in]

Our strongest rail. For pianos with sufficient room in the damper cavity.

Requires 2 mounting points, one at each end.

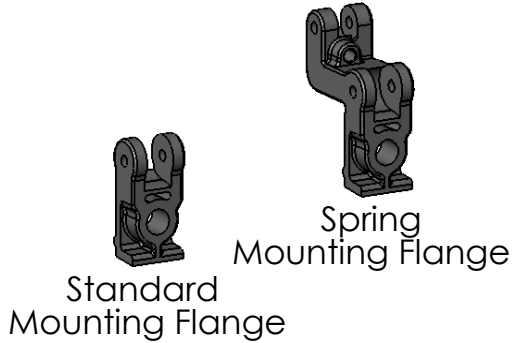
Designed for spring flanges if required.

# Step 4

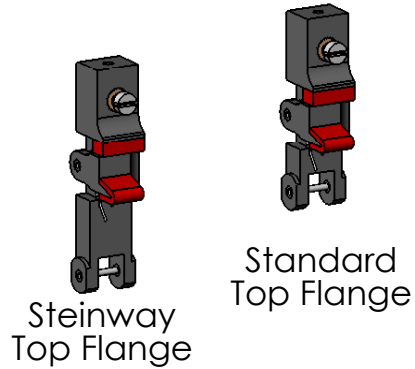
## Which under lever do you want to use?

Select the combination of mounting flange, top flange, spoon length and leading pattern

### Mounting Flange



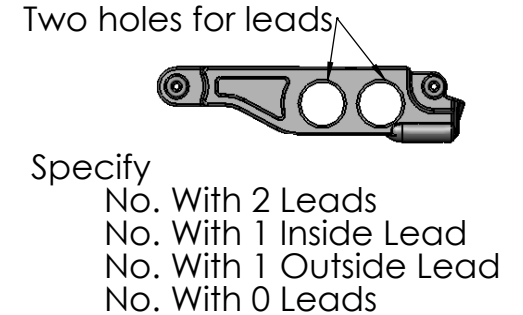
### Top Flange



### Spoon Length



### Leading Pattern

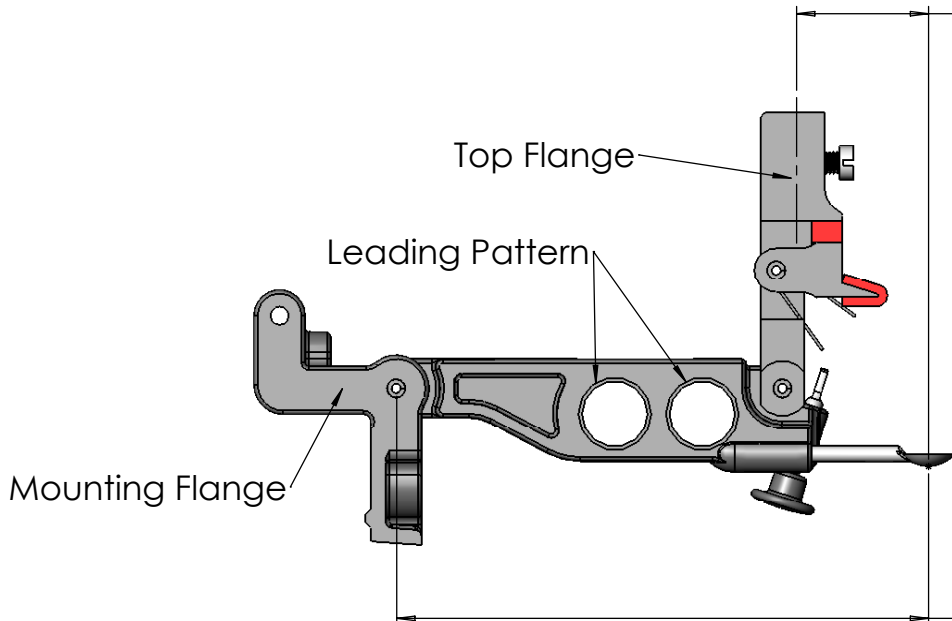


### Wire to Spoon

Short	15.1mm (.594in)
Standard	18.1mm (.713in)
Long	23.1mm (.909in)

### Center to Pickup

Short	70mm (2.756in)
Standard	73mm (2.874in)
Long	78mm (3.071in)



## Step 5

Decide if WNG will supply a sostenuto rod for your damper action.

WNG has designed an entirely new sostenuto system that allows you to create a custom sostenuto without complex machining.

If you wish, WNG can make a sostenuto rod from the scale stick you provided to drill the damper action rails.

Or, we can send you a kit that will allow you to make up the rod yourself.

