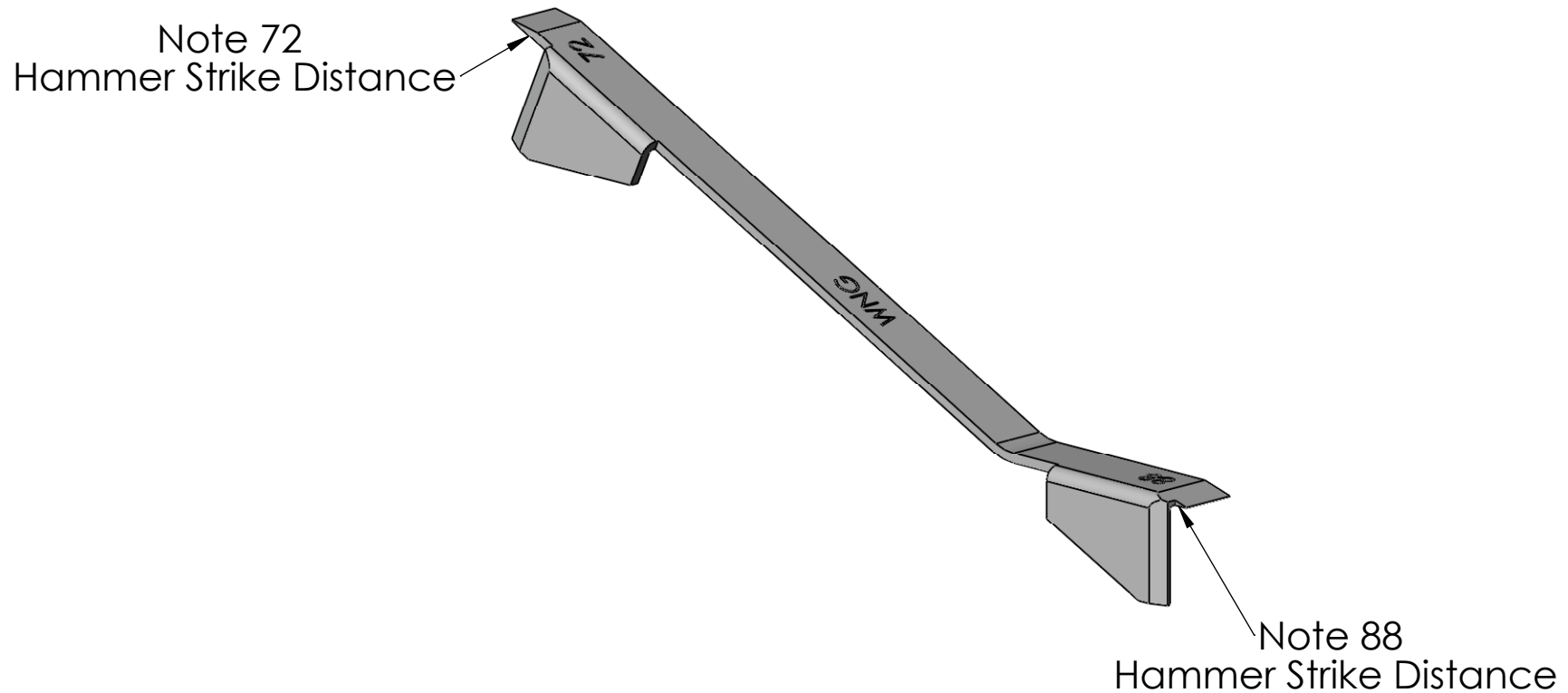


Treble Strike Gauge

When replacing hammers, it is very important that the hammer strikes the string in the proper place. This tool gives the technician an easy way to ensure that the hammer strike location is correct for notes 72 and 88



Treble Strike Gauge
Part No. 06-0264